

2MP Mini Fixed Bullet IP Camera



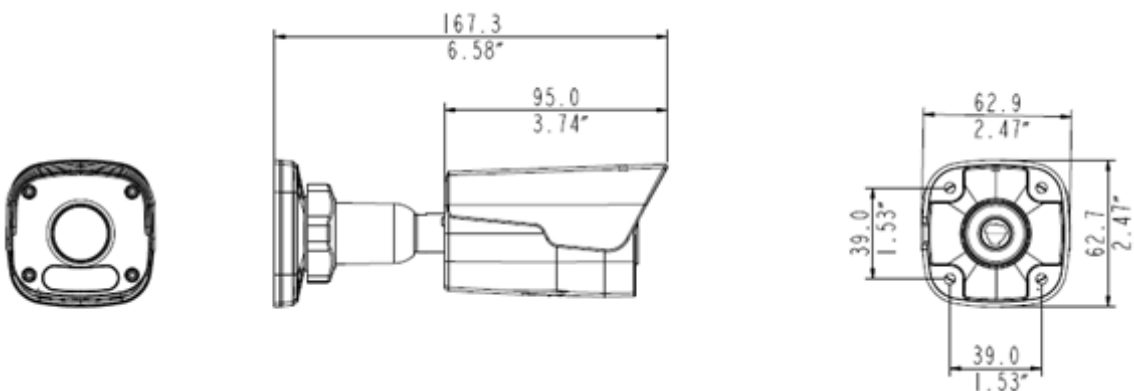
Model

TITANUS BT202-U1

Features

- Day/ night functionality
- Smart IR, up to 30m IR distance
- Optical glass window with higher light transmittance
- 2D/ 3D DNR (Digital Noise Reduction)
- Ultra 265, H.265, H.264, MJPEG
- ROI (Region of Interest)
- Wide temperature range: -30°C ~ 60°C
- Wide voltage range of $\pm 25\%$
- IP67
- 3-Axis

Dimension



SPECIFICATIONS

MODEL		BT202-U1
CAMERA		
Image Sensor	1/2.7" Progressive scan CMOS	
Lens	4.0mm @ F2.0	
Minimum Illumination	Color: 0.02Lux @(F2.0, AGC ON) 0 lux with IR	
Angle of View (H)	86.5°	
Angle of View (V)	44.1°	
Angle of View (O)	106.4°	
Adjustment angle	Pan: 0° ~ 360° ; Tilt: 0° ~ 90° ; Rotate: 0° ~ 360°	
Shutter Time	Auto/ Manual, 1~1/100000s	
Day/ Night	IR-cut filter with auto switch (ICR)	
Digital Noise reduction	2D/3D DNR	
S/N	>52dB	
IR Range	Up to 30m IR range	
WDR	DWDR	
VIDEO		
Video Compression	Ultra 265, H.265, H.264, MJPEG	
Frame Rate	Main Stream: 1080P (1920x1080), Max 30fps Sub Stream: 720P (1280x720), Max 30fps Third Stream: CIF (352x288), Max 30fps	
HLC	Supported	
BLC	Supported	
OSD	Up to 4 OSDs	
Privacy Mask	Up to 8 areas	
ROI	Up to 2 areas	
Motion Detection	Up to 4 areas	
SMART		
Behavior Detection	Intrusion, Motion Detection, Tampering Alarm	
Intrusion	Enter and loiter in a pre-defined virtual region	
NETWORK		
Protocols	IPv4, IGMP, ICMP, ARP, TCP, UDP, DHCP, RTP, RTSP, RTCP, DNS, DDNS, NTP, FTP, UPnP, HTTP, HTTPS, SMTP, SSL, QoS	
Compatible Integration	ONVIF (Profile S, Profile T), API	
INTERFACE		
Network	10/100M Base-TX Ethernet	
GENERAL		
Power	DC12V±25%, PoE (IEEE 802.3af) Power consumption: Max 4.5W	
Working Environment	-30°C~60°C, Humidity: ≤95% RH (non-condensing)	
Dimensions (L x W x H)	167.3 x 62.9 x 62.7mm	
Ingress Protection	IP67	
Reset Button	Supported	