



WHERE SECURITY &
TECHNOLOGY MEET

4MP H.265 VANDAL PROOF MINI IR DOME CAMERA

4 Megapixel IR Vandal Dome, 25fps, 4mm Lens, IP67, IK10, IR LED: 30M



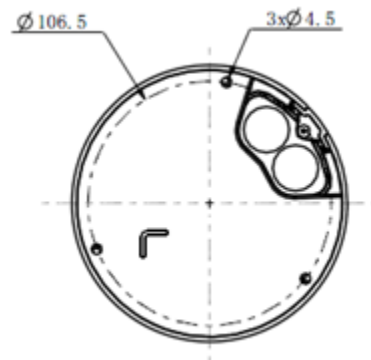
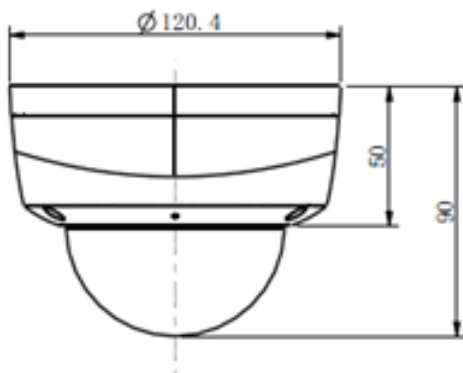
Model

TITANUS IPS-DT402E-P

Features

- 4MP, 1/3" Progressive Scan CMOS
- 4mm Fixed Lens
- Support H.265 Codec
- 8pcs IR LED
- Smart IR Range: 20 - 30 meters
- Smart Defog
- TVS 6000V, Lightning/ Surge 2000V Protection
- IP67
- Support GV-VMS+

Dimension



SPECIFICATIONS

MODEL	IPS-DT402E-P
CAMERA	
Sensor	1 /3" Progressive Scan CMOS
Pixel	4 Megapixel
Resolution	2560 x 1440 / 25fps
Min. Illumination	Color: 0.05 Lux; B/W: 0 Lux with IR ON
Day/ Night	IR Cut Filter with Auto Switch
Shutter Time	1s to 1/100,000s
Wide Dynamic Range	100 dB
Digital Noise Reduction	3D DNR
Lens	4mm Fixed Lens
Field of View	82.7°
IR Distance	20 - 30 meters
IR LED	8pcs IR LED
IMAGE	
Video Compression	H.265/ H.264/ MJPEG
Audio Compression	G.711A/ G.711U/ ADPCM/ AAC
Image Setting	Brightness, Saturation, Contrast, Adjustable Flip Mode
HLC	Yes
ROI	4 Zones
Defog	Smart Defog
NETWORK	
Alarm Trigger	Motion Detection/ IP Conflict/ MAC Conflict/ Port Alarm/ Mask Alarm
Supported Web Browser	IE, Chrome, Firefox, Safari
Web Language	English, Spanish, Korean, Italian, Turkish, Thai, Russian, Traditional Chinese
Network Protocols	IPv4/ IPv6/ HTTP/ 802.1x/ FTP/ SMTP/ UPnP/ SNMP/ DNS/ DDNS/ NTP/ RTSP/ TCP/ UDP/ DHCP/ PPPoE
INTERFACE	
Ethernet	1-ch RJ45 10M/ 100M Ethernet Interface
Audio I/O	1-ch Audio In
Video Output	N/A
Alarm I/O	N/A
Reset Button	Yes
Edge Storage	Micro SD Slot, Max 128GB
GENERAL	
Power	12V DC/ PoE
Power Consumption	Max. 3W (IR LED OFF) ; Max. 5W (IR LED ON)
Operating Temperature	-30°C to 60°C (IR LED OFF); -20°C to 40°C (IR LED ON)
Operating Humidity	0% - 95% RHG
Ingress Protection	IP67
Dimensions	120mm x 120mm x 90mm
Product Weight	700g