



WHERE SECURITY &  
TECHNOLOGY MEET

## 4MP Vandal-resistant IP Dome Camera



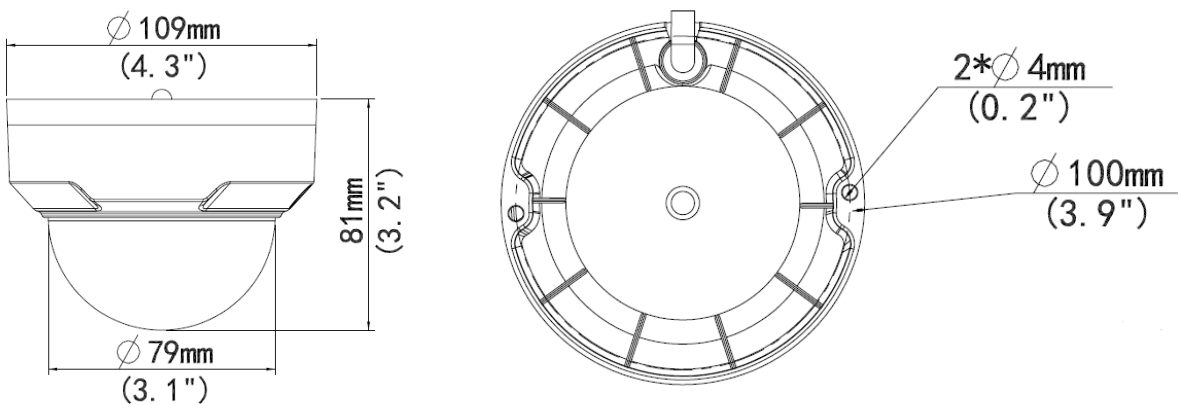
### Model

TITANUS DT402-U1

### Features

- Day/ night functionality
- Smart IR, up to 30m IR distance
- 2D/ 3D DNR (Digital Noise Reduction)
- Ultra 265, H.265, H.264, MJPEG
- ROI (Region of Interest)
- Wide temperature range: -30°C ~ 60°C
- Wide voltage range of  $\pm 25\%$
- IK10 Vandal resistant
- IP67

### Dimension



## SPECIFICATIONS

MODEL		DT402-U1
<b>CAMERA</b>		
Image Sensor	1/3" Progressive scan CMOS	
Lens	2.8mm @ F2.0	
Minimum Illumination	Color: 0.03Lux @(F2.0, AGC ON) 0 lux with IR	
Angle of View (H)	104.4°	
Angle of View (V)	54.4°	
Angle of View (O)	135.7°	
Adjustment angle	Pan: 0° ~ 360°	
Shutter Time	Auto/ Manual, 1~1/100000s	
Day/ Night	IR-cut filter with auto switch (ICR)	
Digital Noise reduction	2D/3D DNR	
S/N	>52dB	
IR Range	Up to 30m IR range	
WDR	DWDR	
<b>VIDEO</b>		
Video Compression	Ultra 265, H.265, H.264, MJPEG	
Frame Rate	Main Stream: 4MP (2592x1520), Max 20fps Sub Stream: 720P (1280x720), Max 20fps Third Stream: D1 (720x576), Max 20fps	
HLC	Supported	
BLC	Supported	
OSD	Up to 4 OSDs	
Privacy Mask	Up to 8 areas	
ROI	Up to 2 areas	
Motion Detection	Up to 4 areas	
<b>SMART</b>		
Behavior Detection	Intrusion, Motion Detection, Tampering Alarm	
Intrusion	Enter and loiter in a pre-defined virtual region	
<b>NETWORK</b>		
Protocols	IPv4, IGMP, ICMP, ARP, TCP, UDP, DHCP, RTP, RTSP, RTCP, DNS, DDNS, NTP, FTP, UPnP, HTTP, HTTPS, SMTP, SSL, QoS	
Compatible Integration	ONVIF (Profile S, Profile T), API	
<b>INTERFACE</b>		
Network	1 RJ45 100M Base-TX Ethernet	
<b>GENERAL</b>		
Power	DC12V±25%, PoE (IEEE 802.3af) Power consumption: Max 4W	
Working Environment	-30°C~60°C, Humidity: ≤95% RH (non-condensing)	
Dimensions (φ x H)	φ109x81mm	
Ingress Protection	IP67	
Vandal Resistant	IK10	