



WHERE SECURITY &
TECHNOLOGY MEET

FULL HD High Speed IR PTZ Dome Camera

2.1M SONY Exmor CMOS sensor, 20x Optical zoom, 30fps@1080p, IR distance 100-120m, WDR, IP66



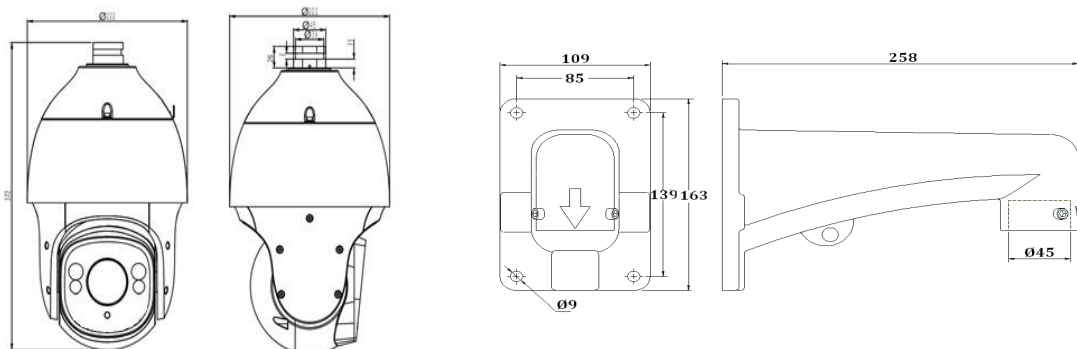
Model

TITANUS IPS-ST221H-20x IR

Features

- Ultra Low Light 0.002Lux
- H.265 Codec
- Up to 1920x1080 High Resolution
- Smart IR, IR Range: 100 ~ 120m
- Speed Max 400°/s, -16~90 ° Tilt Angle
- Optical Zoom: 20x, Digital Zoom: 16x
- NIR, WDR, 3D DBR, HLC, Dual-IRC, AWB, AGC, BLC
- MicroSD Card Slot, up to 128GB
- Tripwire Detection
- Perimeter Detection
- Smart Defog
- TVS 6000V, Lightning/ Surge 4000V Protection
- Temperature: -40 °C-70 °C, POE+

Dimension



SPECIFICATIONS

MODEL		IPS-ST221H-20xIR Outdoor
CAMERA		
Sensor	1 /2.8" SONY Exmor CMOS sensor	
Effective Pixel	1920(H) x 1080(V)	
Electronic shutter	1/1s-1/10000S	
WDR	100dB	
White Balance	Auto / ATW / Manual	
Exposure Mode	Auto / Manual/ Iris First/ Shutter First	
Min. Illumination	Color: 0.002 Lux @ (F1.5, AGC ON) ; Black & White: 0.001Lux @ (F1.5, AGC ON) 0Lux with IR	
Day/ Night	Dual-ICR	
IR Distance	100-120m	
IR Irradiation Angle	Adjustable by Zoom	
Privacy Masking	24 Dynamic Privacy Masks Programmable; Optional Multiple Colors	
Picture Overlay	200 x 200, BMP 24bit, Zone Configurable	
OSD	16x16, 32x32, 24x24, 48x48, 64x64, 96x96 Character Size Time/Date/Week/Character Superposition in 5 Regions PTZ Angle Superposition	
Digital Zoom	20x	
Optical Zoom	16x	
LENS		
Focal Length	5.2mm ~ 98mm	
Zoom speed	Approx. <4s (optical wide-tele)	
Angle of View	55.8° (w) ~ 3.2° (t)	
Aperture Range	F1.5-F3.0	
PTZ		
Pan Range	360° Endless	
Pan Speed	Pan Manual Speed: 0.1° - 180°/s ; Pan Preset Speed: 400°/s	
Preset accuracy	±0.2°	
Tilt Range	-16°-90° (Auto Flip)	
Tilt Speed	Tilt Manual Speed: 0.1°-120°/s ; Tilt Preset Speed: 180°/s	
Proportional Zoom	Rotation Speed Can Be Adjusted Automatically According to Zoom Multiples	
3D Position	Y	
Number of Preset	500	
Scan	8	
Cruise	8, up to 32 Presets per Cruise	
Pattern	8, Each one with 600s Memory or 300 Orders	
Power Loss Recovery	Y	
Guard Action	Preset/ Cruise/ Pattern/ Scan	
PTZ Position Display	Y	
Protocol	PTZ_PELCO_D, PTZ_PELCO_P, PTZ_TC615_P, DOME_PELCO_D,DOME_PELCO_P, DOME_PLUS	

SPECIFICATIONS

MODEL	
IPS-ST221H-20xIR Outdoor	
INTERFACE	
Audio Input	1-ch Mic in(Line in Interface) Line Input 2-2.4V[p-p]; Output Impedance 1K Ω , \pm 10%
Audio Output	1-ch Line level, Impedance: 600 Ω
Communication Interface	1-ch RJ45 10M/ 100M Ethernet Interface
Alarm Input	1-ch
Alarm Output	1-ch
On-board Storage	MicroSD Card Slot, up to 128GB
BNC Output & RS485	N/A
Extension	N/A
OTHERS	
Ethernet	10Base – T/100Base-TX RJ45 Connector
Max. Image Resolution	1920 x 1080
Image Compression	H.265/MJPEG/H.264 Encoding with Baseline/Main/High Profile
ROI Encoding	7 Dynamic Areas for Both Main and Sub Stream
Audio Compression	G711A/G711U/ADPCM/AAC
Protocols	TCP/UDP/HTTP/MULTICAST/UPnP/DHCP/PPPoE/DDNS/NFS/FTP/NTP/RTP/RTSP/IPv6/SNMP/SMT P
No. of Simultaneous Users	2 Users Access at the Same Time
User/Host Level	Up to 32 Users, 4 Levels
Web Browser	IE8,IE9,IE10, Chrome8+,Firefox3.5+
GENERAL	
Language	English, Spanish, Korean, Italian,Turkish,Thai, Russian, Traditional Chinese.
Operating Conditions	-40°C-70°C, 0~95% RHG
Power Supply	DC12V, POE+
Power Consumption	12.05W(IR OFF)/21.18W(IR ON)
Circuit Protection	TVS 6000V, Lightning/ Surge 4000V Protection
Impact Protection	IP66
Wiper	N/A
IR LEDs	4pcs
Dimensions	372mmx222mmx222mm
Weight	5KG (IP PTZ Only), 8.45KG (with Packing Box)