



WHERE SECURITY &
TECHNOLOGY MEET

TITANUS

2MP Vandal-resistant IP Dome Camera



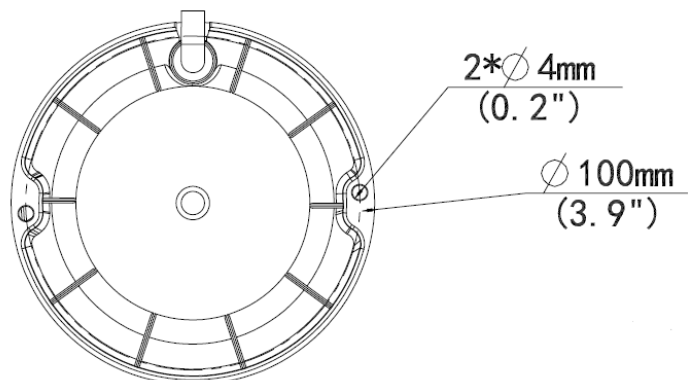
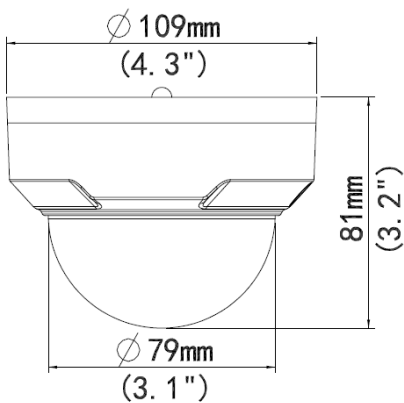
Model

TITANUS DT202-U1

Features

- Day/ night functionality
- Smart IR, up to 30m IR distance
- 2D/ 3D DNR (Digital Noise Reduction)
- Ultra 265, H.265, H.264, MJPEG
- ROI (Region of Interest)
- Wide temperature range: -30°C ~ 60°C
- Wide voltage range of $\pm 25\%$
- IK10 Vandal resistant
- IP67

Dimension



SPECIFICATIONS

MODEL	DT202-U1
CAMERA	
Image Sensor	1/2.7" Progressive scan CMOS
Lens	2.8mm @ F2.0
Minimum Illumination	Color: 0.02Lux @(F1.6, AGC ON) 0 lux with IR
Angle of View (H)	112.7°
Angle of View (V)	60.1°
Angle of View (O)	146.5°
Adjustment angle	Pan: 0° ~ 360°
Shutter Time	Auto/ Manual, 1~1/100000s
Day/ Night	IR-cut filter with auto switch (ICR)
Digital Noise reduction	2D/3D DNR
S/N	>52dB
IR Range	Up to 30m IR range
WDR	DWDR
VIDEO	
Video Compression	Ultra 265, H.265, H.264, MJPEG
Frame Rate	Main Stream: 1080P (1920x1080), Max 30fps Sub Stream: 720P (1280x720), Max 30fps Third Stream: CIF (352x288), Max 30fps
HLC	Supported
BLC	Supported
OSD	Up to 4 OSDs
Privacy Mask	Up to 8 areas
ROI	Up to 2 areas
Motion Detection	Up to 4 areas
SMART	
Behavior Detection	Intrusion, Motion Detection, Tampering Alarm
Intrusion	Enter and loiter in a pre-defined virtual region
NETWORK	
Protocols	IPv4, IGMP, ICMP, ARP, TCP, UDP, DHCP, RTP, RTSP, RTCP, DNS, DDNS, NTP, FTP, UPnP, HTTP, HTTPS, SMTP, SSL, QoS
Compatible Integration	ONVIF (Profile S, Profile T), API
INTERFACE	
Network	10/100M Base-TX Ethernet
GENERAL	
Power	DC12V±25%, PoE (IEEE 802.3af) Power consumption: Max 4.5W
Working Environment	-30°C~60°C, Humidity: ≤95% RH (non-condensing)
Dimensions (φ x H)	φ109x81mm
Ingress Protection	IP67
Vandal Resistant	IK10