



WHERE SECURITY &
TECHNOLOGY MEET

TITANUS

5MP Mini Starlight PTZ Bullet IP Camera



IPS-PTM539-M1

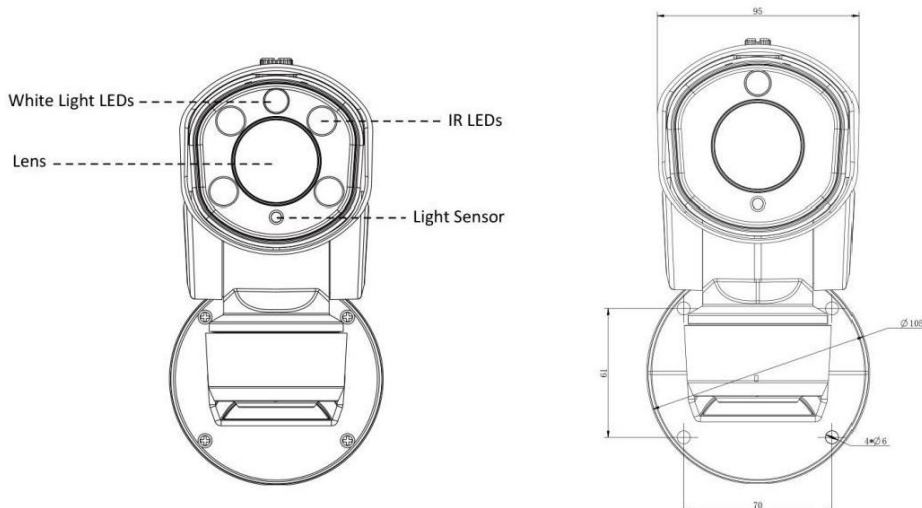
Features

- Smart Stream
- Smart IR II
- 12x Optical Zoom
- Smart PTZ Motion Detection
- 0.005Lux Ultra Low-light
- 120dB Super WDR

Model

TITANUS IPS-PTM539-M1/M2

Dimension



Unit: mm

SPECIFICATIONS

MODEL	IPS-PTM539-M1/M2
CAMERA	
Image Sensor	1/2.8" Progressive scan CMOS
Minimum Illumination	Color: 0.005Lux @ F1.2 B/W: 0 lux with IR on
WDR	120dB Super WDR
Lens	5.3~64mm. 12x Optical Zoom
Field of View	H57° H4° / D69°D5° / V44°~V1°
Zoom Speed	3.1s
IR Distance	Up to 60m
Aperture	F1.6~F2.8
PTZ	
Pan Range	360° Endless
Pan Speed	Pan Manual Speed: 0.2°~60°/s, Pan Preset Speed 100°/s
Tilt Range	-45°~30°
Tilt Range	Tilt Manual Speed: 0.2°~30°/s, Tilt Preset Speed 60°/s
Proportional Zoom	Support
Preset Quantity	255
Preset Freezing	Support
Patrols	8 Patrols, up to 48 presets each patrol
Pattern	4 Patterns
Power Off Memory	Support
PTZ Position Display	ON/OFF
3D Positioning	Support
VIDEO	
Max. Image Resolution	2592 x 1944
Primary Stream	20fps @ (2592x1944), 30fps @ (1920x1080, 1280x960, 1280x720, 704x576)
Secondary Stream	30fps@(704x576, 640x480, 640x360, 352x288, 320x240, 320x192, 320x176)
Tertiary System	30fps@(1920x1080, 1280x720, 704x576, 640x480, 640x360, 320x240, 320x192, 320x176)
Video Compression	H.265+/H.265(HEVC)/H.264+/H.264/MJPEG
Video Bit Rate	16Kbps~16Mbps(CBR/VBR Adjustable)
Image Setting	Brightness/Contrast/Saturation/Sharpness
NETWORK	
Ethernet	1*RJ45 10M/100M Ethernet Port
Protocol	IPv4/IPv6, TCP, UDP, RTP, RTSP, RTCP, HTTP, HTTPS, DNS, DDNS, DHCP, FTP, NTP, SMTP, SNMP, UPnP, SIP, PPPoE, VLAN, 802.1x, QoS, IGMP, ICMP, SSL
AUDIO	
Audio Compression	G.711/AAC
Audio I/O	1/1 (Non-PoE Version)

SPECIFICATIONS

MODEL	IPS-PTM539-M1/M2
SYSTEM	
Alarm I/O	1/1
Storage	Support microSD/SDHC/SDXC Card Local Storage, up to 256G
Advanced Function	Privacy Masking, Backlight Compensation, HLC, 2D DNR, 3D DNR, ROI, Anti-fog, White Balance, EIS, IP Address Filtering
SIP/VoIP Support	Yes, Voice & Video-over-IP
Event Trigger	Motion Detection, Network Disconnection, External Input, Audio Alarm, etc.
Event Action	FTP Upload, SMTP Upload, SD Card Record, External Output, SIP Phone, White LED, PTZ Motion, HTTP Notification, etc.
System Compatibility	ONVIF Profile S & G
GENERAL	
Working Temperature	-40°C~60°C
Working Humidity	0~90%(Non-condensing)
Power Supply	DC 12V/2A±10% (Non-PoE)
Power Consumption	10.5W MAX / 20W MAX (With IR on)
Weather Proof	Up to IP66-rated for Weather-resistant Performance
Weight	2Kg (Wall Mount) / 1.8Kg (Pedestal Mount)
Dimensions	160mmX273.5mmX210mm (Wall Mount) / 218mmX120mmX172mm (Pedestal Mount)